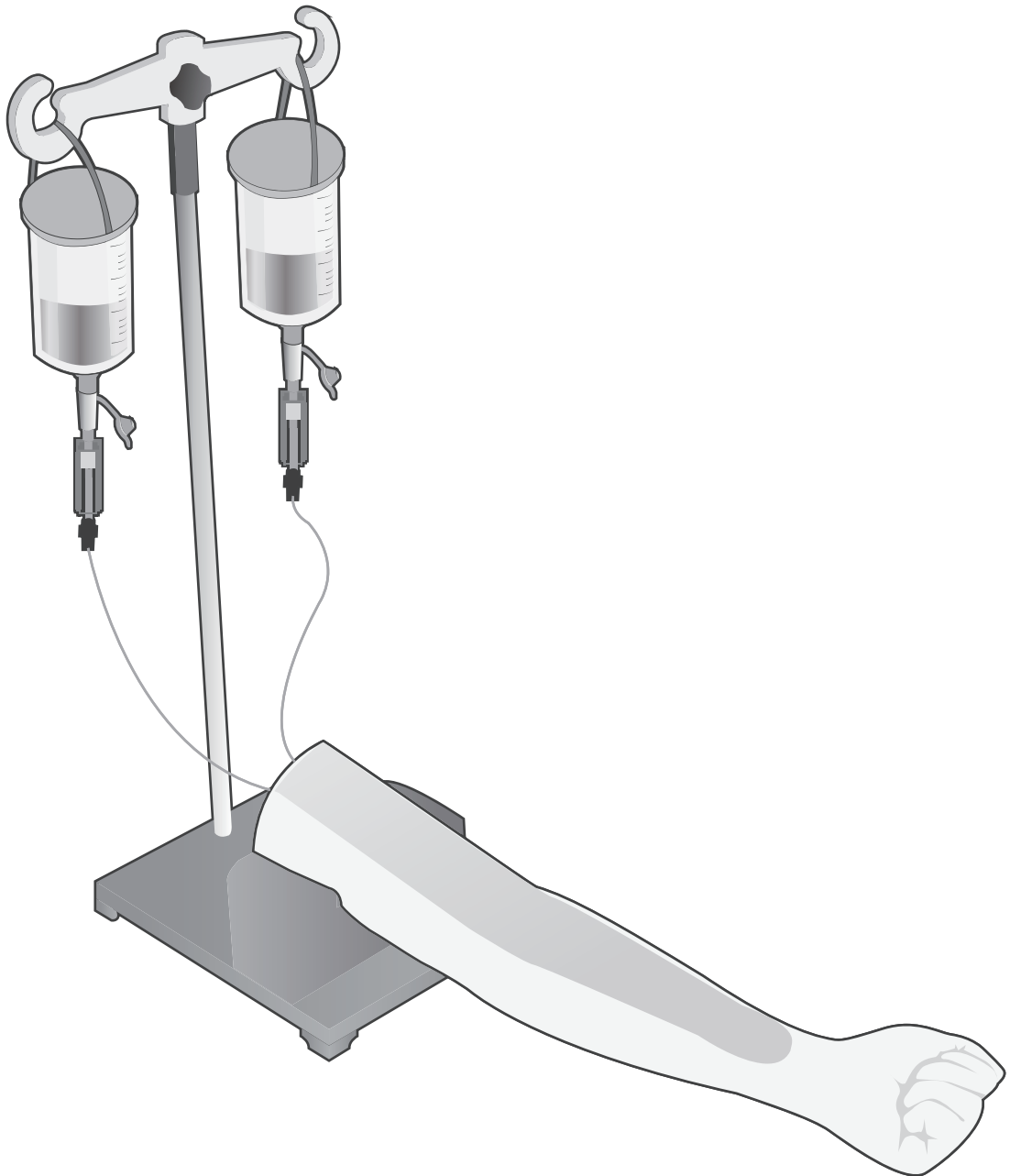


BT-CSIV2-G

Intravenous Injection Training Arm Model

USER GUIDE



Product Information

Product Name	Intravenous Injection Training Arm Model
Model Name	BT-CSIV2-G
Manufacturer	BT Inc.
Country of Origin	Republic of Korea

Product Specification

Dimensions	510 X 110 X 80mm
Weight	4.1 kg

Customer Service

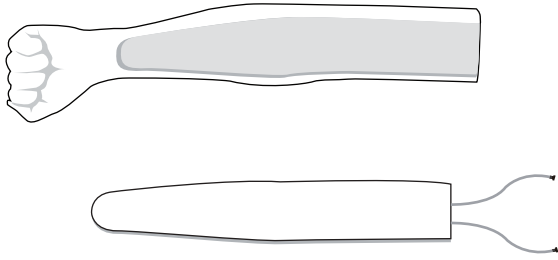
Website	www.btinc.co.kr
Address	A-313, Samsung Techno-valley, 140, Tongil-ro, Deogyang-Gu, Goyang-Si, Gyeonggi-do, 10594, Republic of Korea
Telephone	+82-2-2038-2903
E-mail	bt@btinc.co.kr

| Cautions

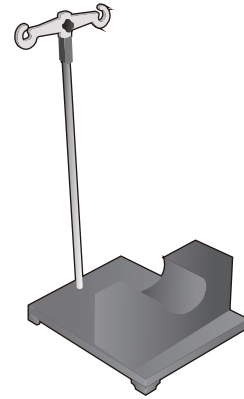
Please read it carefully to ensure correct usage and user's safety through understanding of the product.

- ① Do not use the product for other purposes described in this manual.
- ② If you disassemble or modify the product without any permission by BT Inc, you cannot get the warranty. Also, making imitated or altered products for commercial purposes are prohibited by law.
- ③ Please avoid extremely hot or cold place and do not store it in a humid place for a long time since it may cause a deformation or a damage to the product.
- ④ Never clean the product with chemical substances such as solvent, benzene or thinner, as these may cause ignition or cause the surface deterioration.
- ⑤ BT Inc. can change or adjust the product specification without any notice in order to improve the product.

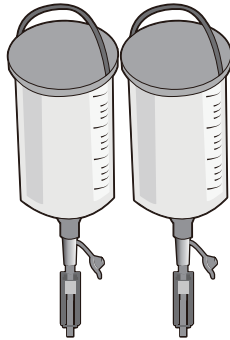
Components



Arm manikin & Skin pad



Stand set



Blood supply bottle



Simulated blood

Consumables

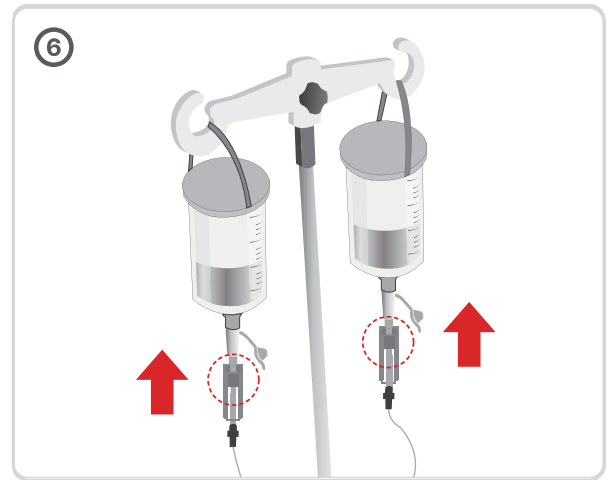
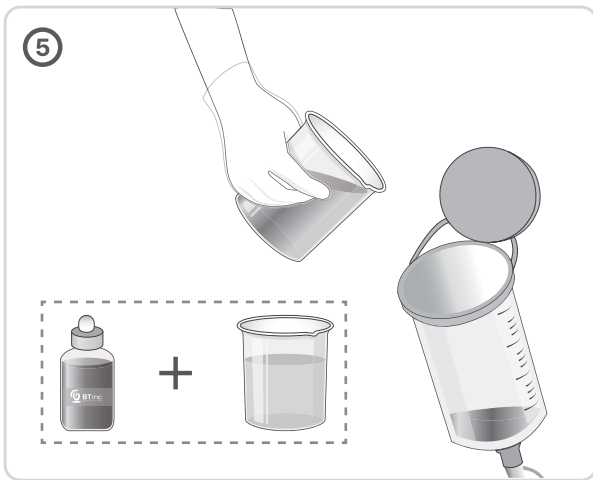
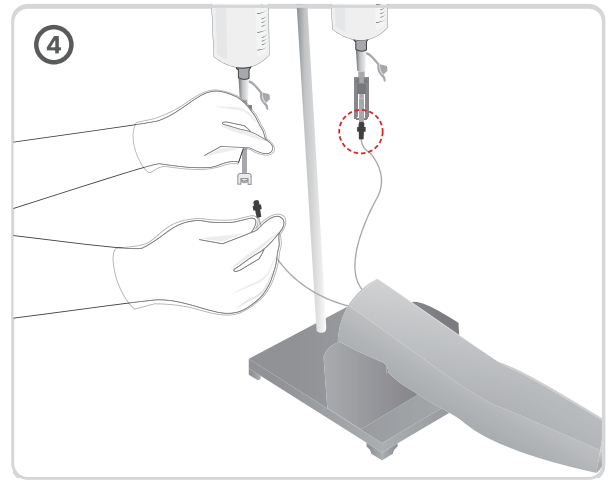
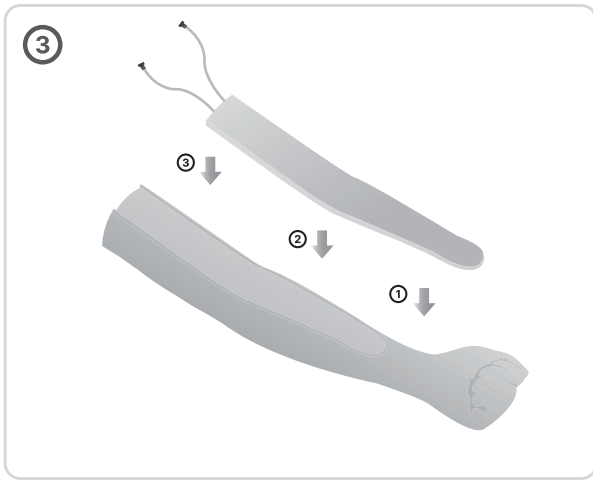
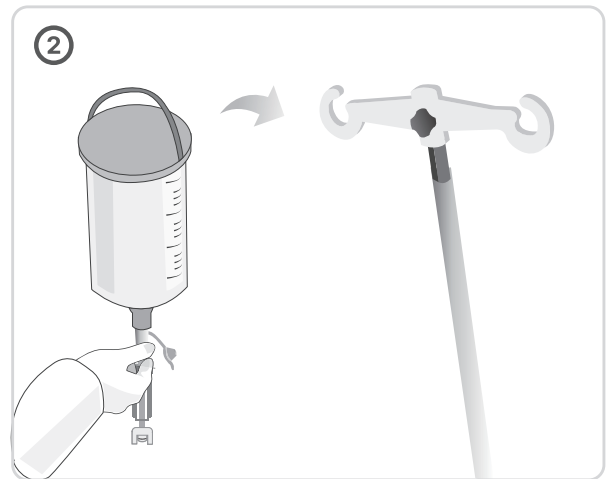
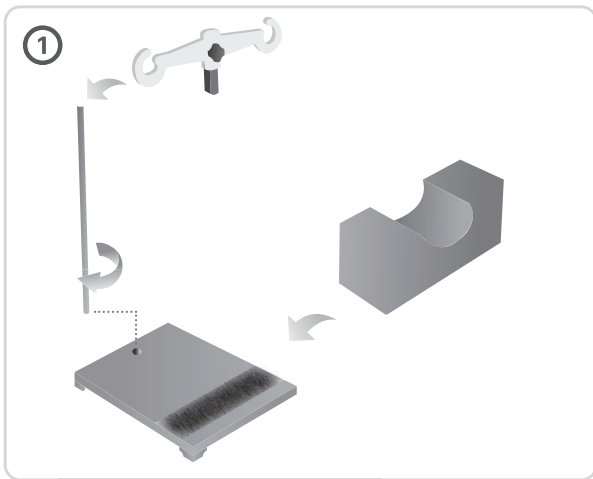
- Skin pad
- Simulated blood

Recommended Clinical Supply Sizes

Needle	3cc~5cc, 23G
Angio catheter	22G~24G

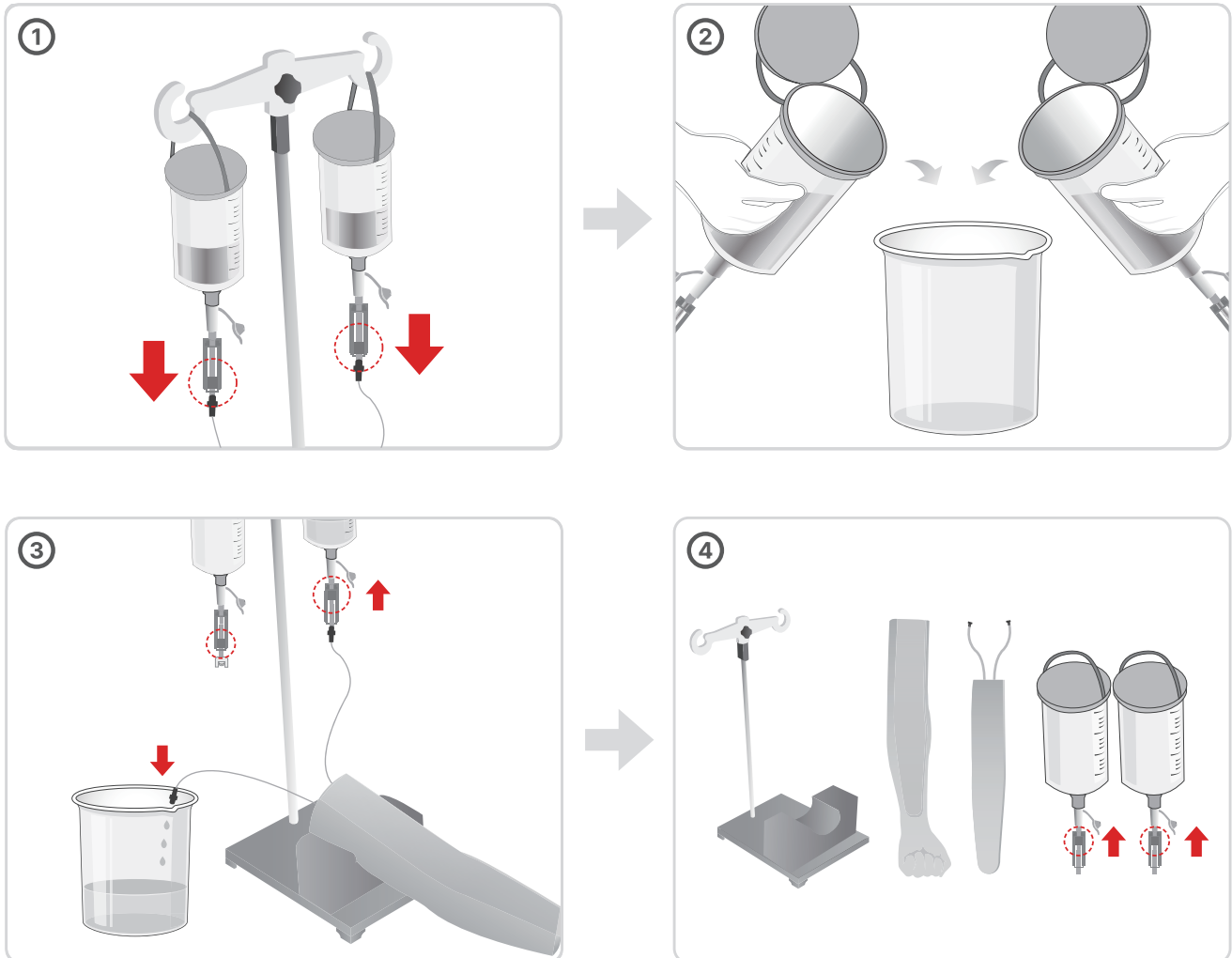
- The following clinical supply sizes are recommended for use with our IV arm models.
- Other sizes may cause damage to the products.
- Lifetime of the consumables may differ depending on the skill level of the users.

Installation



Cleaning and Storage

(1) How to clean the model



- Close the clamp of the blood supply bottle and disconnect the connectors of the skin pad.
- Empty the blood supply bottle and clean it with water.
- Simulated blood can be used multiple times in case you store it in the empty bottle.
- Fill the one bottle with the clean water, connect it to the skin pad and unlock the clamp of the blood supply bottle.
- Drain all remaining simulated blood inside the skin pad through another tube of the skin pad.
- When the cleaning is done, unlock the clamp and store it in the storage case.

(2) How to maintain the arm model

- Clean the model with the wet cloth.
- In case the additional maintenance is needed, clean it with an alcohol swap or a soft cloth soaked in alcohol.
- Wipe it out with a clean dried cloth and let it dry.

BT-CSIV2-G

Intravenous Injection Training Arm Model

A-313, Samsung Techno-valley, 140, Tongil-ro
Deogyang-gu, Goyang-si, Gyeonggi-do, 10594, Republic of Korea

Homepage: www.btinc.co.kr / E-mail: bt@btinc.co.kr
Tel: +82-2-2038-2903, +82-51-903-1144 / Fax: +82 303-3130-0607

Copyright(c) BT Inc. All rights reserved.